



A **KELLER** Company

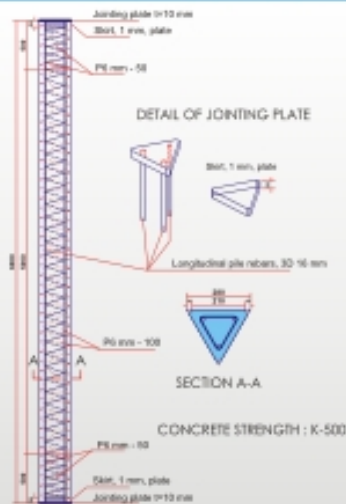
www.frankipile.co.id

PUSH PILE SYSTEM

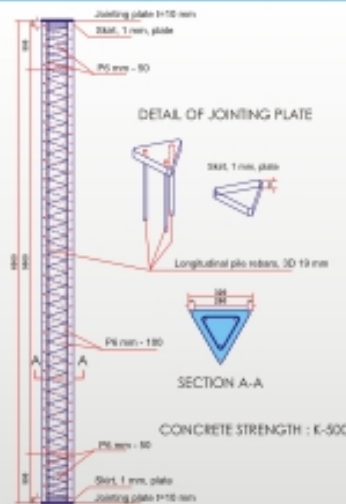


NON VIBRATION
INSTALLATION METHOD
MINI FRANKI PILE

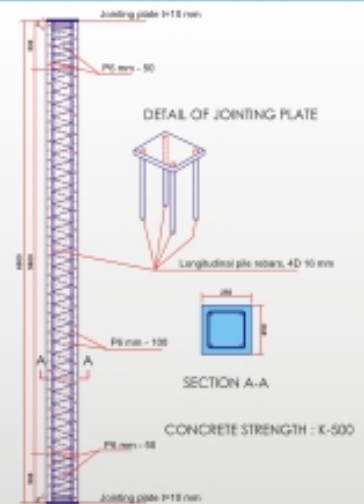
MF - 28 Mini Franki Precast Concret Pile



MF - 32 Mini Franki Precast Concret Pile



PF - 25 Mini Franki Precast Concret Pile





FRANKI PILE SYSTEM



PRODUCT GUIDE :

PILE TYPE	SIZE	SPECIFICATION	CAPACITY (TON)
MINI FRANKI PILE	MF28	K500, 3D16 MM, PLATE 10 MM	25
	MF32	K500, 3D19 MM, PLATE 10 MM	40
	PF25	K500, 4D16 MM, PLATE 10 MM	40 - 50
BORED PILE	Ø 50 ~ 150 CM	by design	100 - 1000
FRANKI PILE	Ø 50 CM	K225, 6D19 MM / 6D22 MM	140

PUSH PILE SYSTEM (NON VIBRATION) MINI FRANKI PILE MF28 - MF32 - PF25

SOIL IMPROVEMENT : STONE COLUMN, DEEP SOIL MIXING & VIBRO COMPACTION

PILING EQUIPMENT : DROP HAMMER, HYDRAULIC HAMMER, DIESEL HAMMER & VIBRO HAMMER

PILE LOADING TEST WITH KENTLEDGE SYSTEM



PT. FRANKIPILE INDONESIA

Graha Kencana Office Building Block EK
Jl. Raya Perjuangan No.88, Kebon Jeruk
Jakarta Barat 11530

Ph. (021) 536.60.778

Facs. (021) 536.60.779 - 532.59.87

Email : franki@indo.net.id Website : www.frankipile.co.id